

HiFi ENGINE[®]

For more Hi-Fi manuals and set-up information
please visit www.hifiengine.com

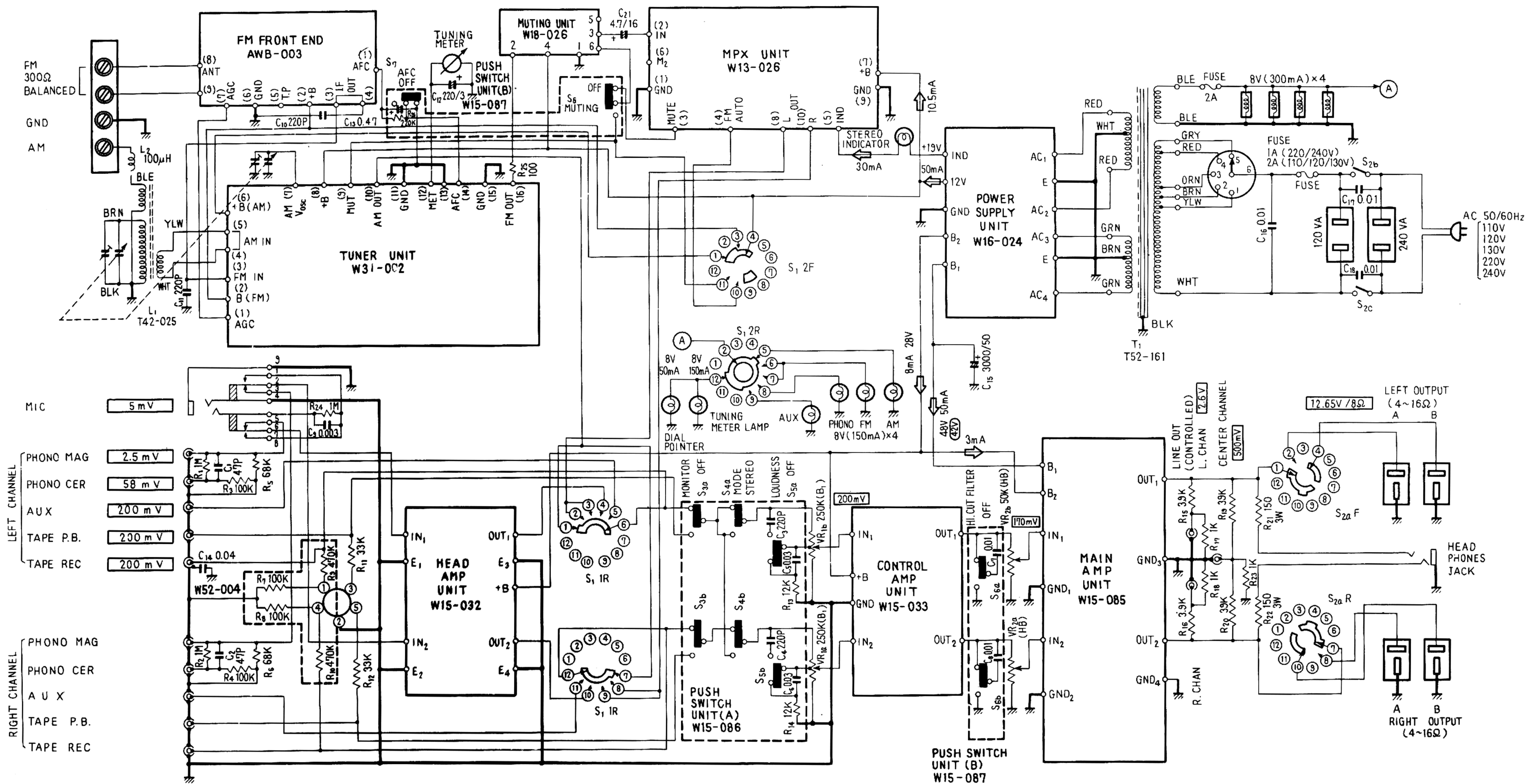
AM/FM STEREO RECEIVER

SX-770

UNIT \ ROUND LABEL	FVZW	NBW	KCLW	FVW		
TUNER UNIT						
FM FRONT END	AWB-003	W11-035	W11-035	W11-035		
TUNER UNIT	W31-002	W31-002	W31-002	W31-002		
MPX UNIT	W13-026	W13-026	W13-026	W13-026		
AM TUNER UNIT						
MUTING UNIT	W18-026	W18-026	W18-026	W18-026		
HEAD AMP UNIT	W15-032	W15-032	W15-032	W15-032		
CONTROL AMP UNIT	W15-033	W15-033	W15-033	W15-033		
MAIN AMP UNIT	W15-085	W23-005	W15-085	W15-085		
POWER SUPPLY UNIT	W16-024	W16-064	W16-024	W16-024		
SWITCH UNIT (A)	W15-086	W15-086	W15-086	W15-086		
SWITCH UNIT (B)	W15-087	W15-087	W15-087	W15-087		
SWITCH UNIT						
TONE COLOR UNIT						
CONTROL UNIT						
MIC AMP UNIT						
REVERBE AMP UNIT						
REVERBE UNIT						



SX-770



SWITCHES

- S₁ INPUT SELECTOR**
1. AM
 2. FM
 3. FM AUTO
 4. PHONO & MIC
 5. AUX
- S₂ OUTPUT SELECTOR**
1. POWER OFF
 2. A
 3. SP OFF (PHONES)
 4. B
 5. A + B

- S₃ TAPE MONITOR** OFF ↔ ON
- S₄ MODE** STEREO ↔ MONO
- S₅ LOUDNESS** OFF ↔ ON
- S₆ HIGH CUT FILTER** OFF ↔ ON
- S₇ AFC** OFF ↔ ON
- S₈ MUTING** OFF ↔ ON

POTENTIOMETERS

- VR₁ MAIN VOLUME CONTROL**
- VR₂ BALANCE VOLUME CONTROL**

RESISTORS

- NON MARK : OHM
- M : MEGOHM
- K : KILOHM
- W : WATT

CAPACITORS

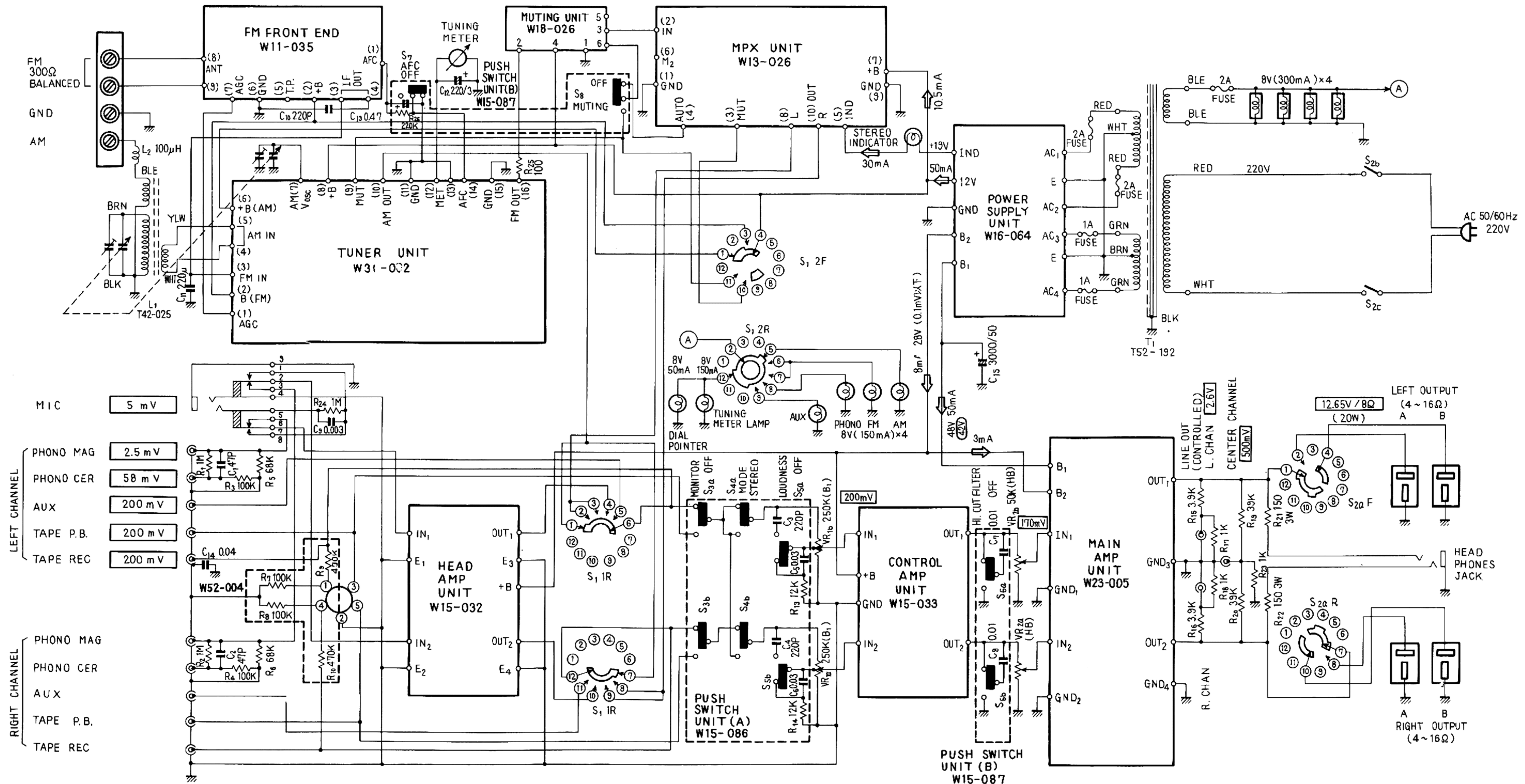
- NON MARK : μF
- P : μμF

- ← : DC CURRENT AT NO INPUT SIGNAL
- V : DC VOLTAGE AT NO INPUT SIGNAL
- ⌋ : DC VOLTAGE AT MAX INPUT SIGNAL (ONE CHANNEL)

⌋ : SIGNAL VOLTAGE AT 20W/8Ω (SPEAKER OUTPUT)

ALL VOLTAGE MEASURED WITH V.T.V.M.

SX-770



- S₁ INPUT SELECTOR**
1. AM
 2. FM
 3. FM AUTO
 4. PHONO & MIC
 5. AUX
- S₂ OUTPUT SELECTOR**
1. POWER OFF
 2. A
 3. SP OFF (PHONES)
 4. B
 5. A+B

- S₃ TAPE MONITOR** OFF - ON
- S₄ MODE** STEREO - MONO
- S₅ LOUDNESS** OFF - ON
- S₆ HIGH CUT FILTER** OFF - ON
- S₇ AFC** OFF - ON
- S₈ MUTING** OFF - ON

- POTENTIOMETERS**
- VR₁ MAIN VOLUME CONTROL
- VR₂ BALANCE VOLUME CONTROL

- RESISTORS**
- NON MARK : OHM K : KILOHM
- M : MEGOHM W : WATT

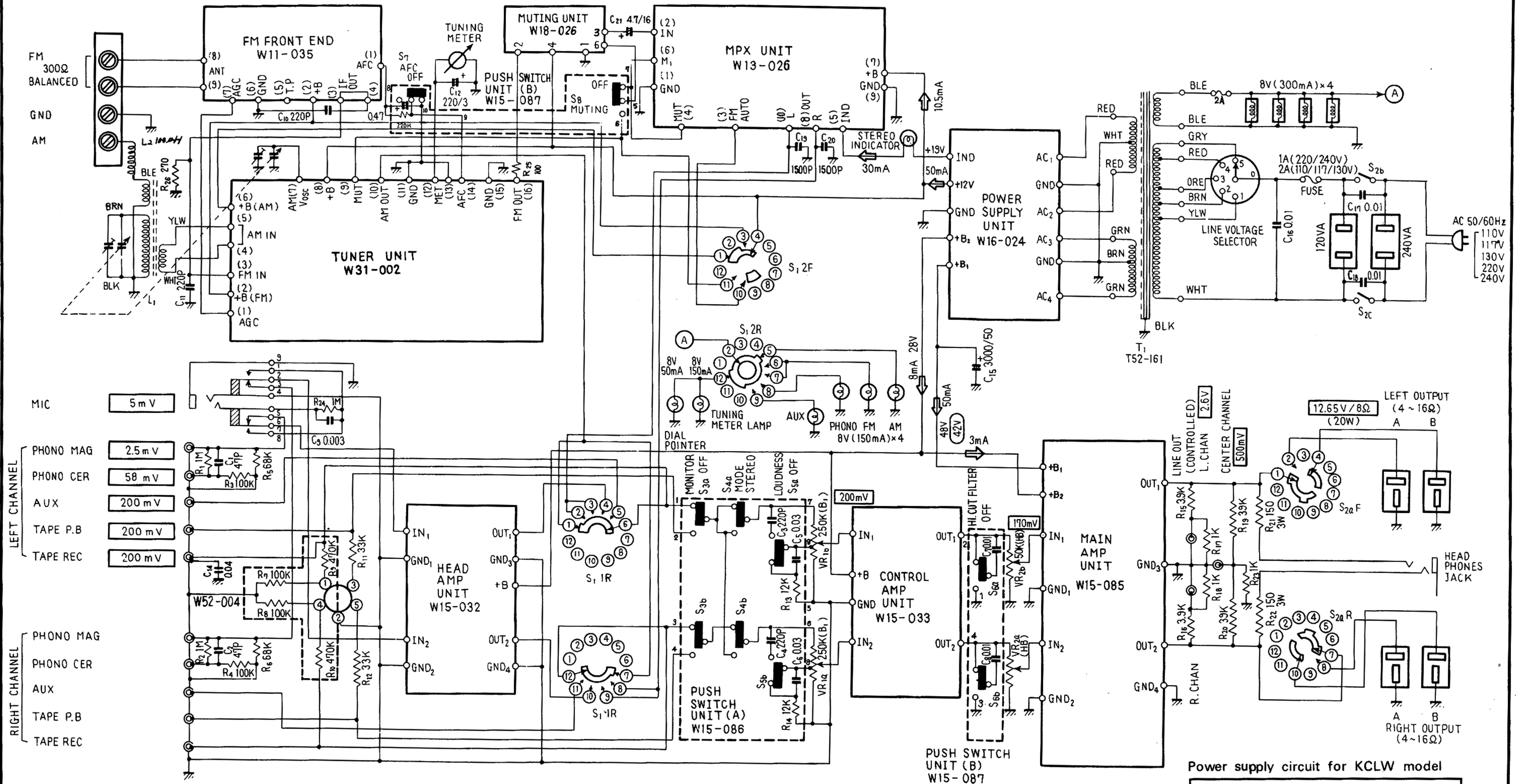
- CAPACITORS**
- NON MARK : μF
- P : μμF
- ⤴ NO INPUT SIGNAL DC CURRENT
- V NO INPUT SIGNAL DC VOLTAGE
- ⊖ MAX INPUT SIGNAL DC VOLTAGE (ONE CHANNEL)

▭ SIGNAL VOLTAGE AT 20W/8Ω (SPEAKER OUTPUT)

ALL VOLTAGE MEASURED WITH V.T.V.M.

SECTION	ITEM No.	VACANT
1	R	R ₁ ~R ₂₆ R ₂₇ ~
2	C	C ₁ ~C ₂₁ C ₁₉ , C ₂₀ C ₂₂ ~

SX-770



- S₁ INPUT SELECTOR**
1. AM
 2. FM
 3. FM AUTO
 4. PHONO & MIC
 5. AUX
- S₂ OUTPUT SELECTOR**
1. POWER OFF
 2. A
 3. SP. OFF (PHONES)
 4. B
 5. A+B

- S₃ TAPE MONITOR** OFF ↔ ON
- S₄ MODE** STEREO ↔ MONO
- S₅ LOUDNESS** OFF ↔ ON
- S₆ HIGH CUT FILTER** OFF ↔ ON
- S₇ AFC** OFF ↔ ON
- S₈ MUTING** OFF ↔ ON

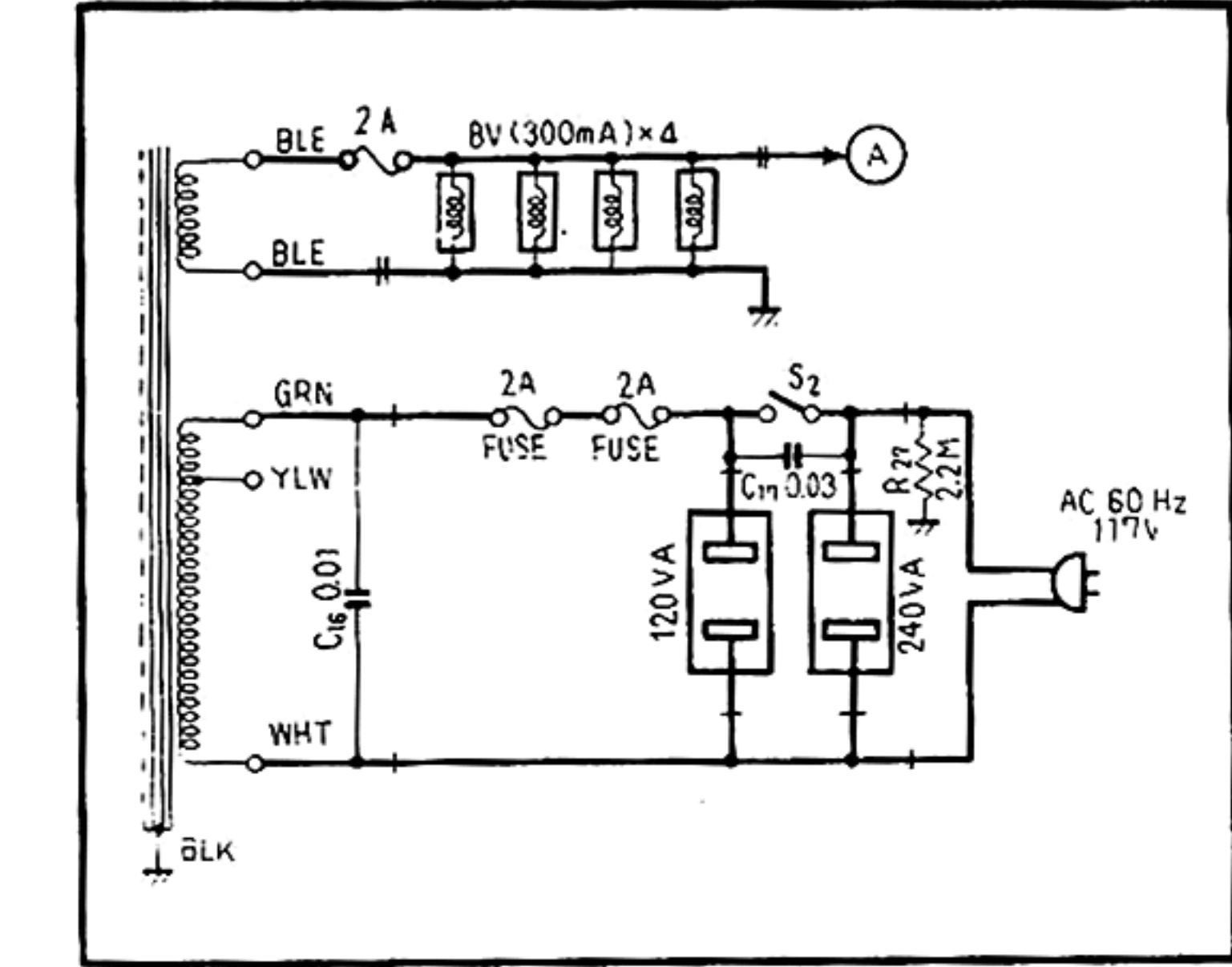
- POTENTIOMETERS**
- VR₁ MAIN VOLUME CONTROL
 - VR₂ BALANCE VOLUME CONTROL
- RESISTORS**
- NON MARK: 0HM K: KILOHM M: MEGOHM W: WATT

- CAPACITORS**
- 10% TOLERANCE UNLESS NOTED
- P: μμF
- ⤴ NO INPUT SIGNAL DC CURRENT
- V NO INPUT SIGNAL DC VOLTAGE
- ⓪ MAX INPUT SIGNAL DC VOLTAGE (ONE CHANNEL)

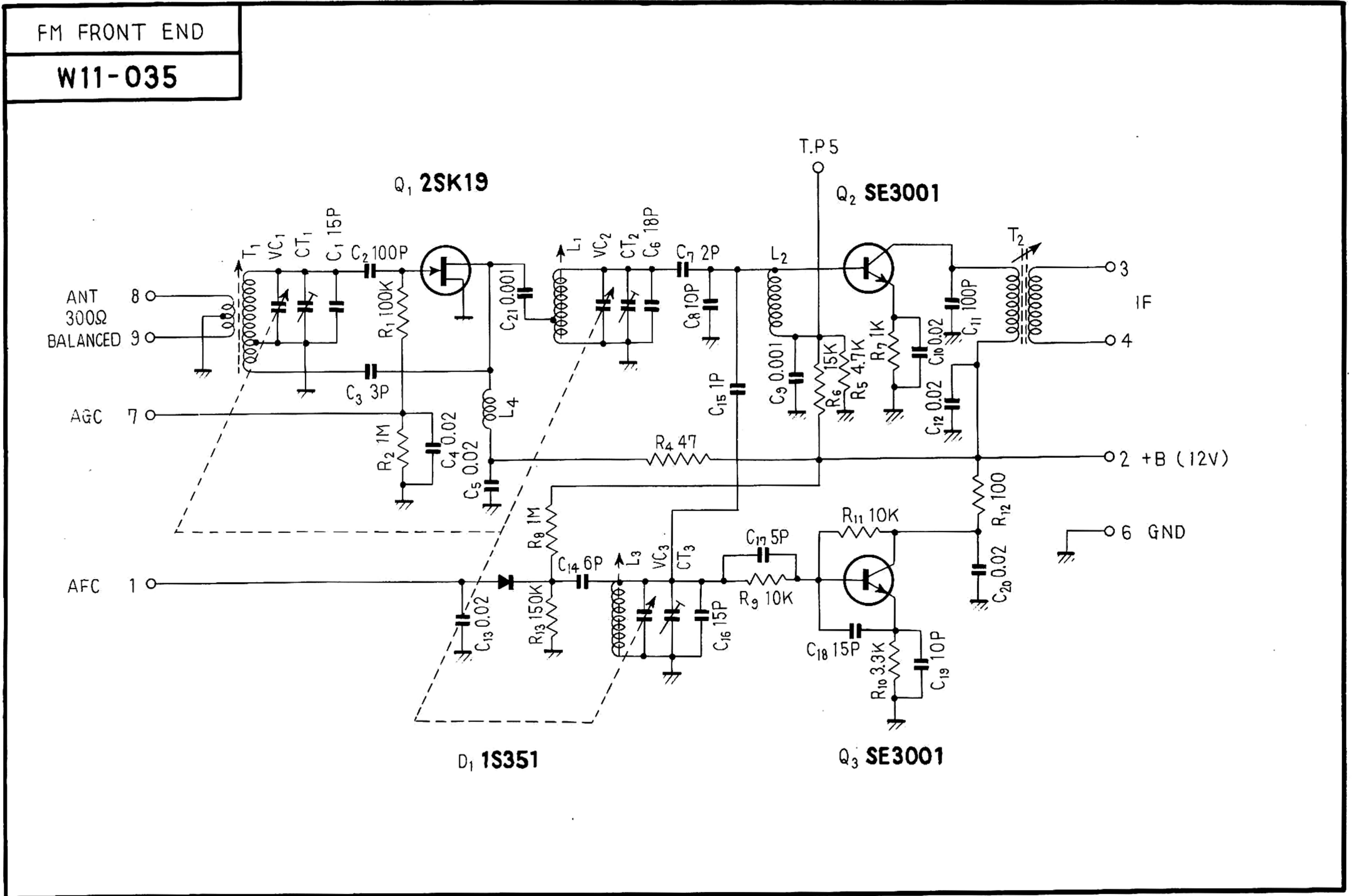
⓪ V SIGNAL VOLTAGE AT 20W/8Ω (SPEAKER OUTPUT)

ALL VOLTAGE MEASURED WITH V.T.V.M.

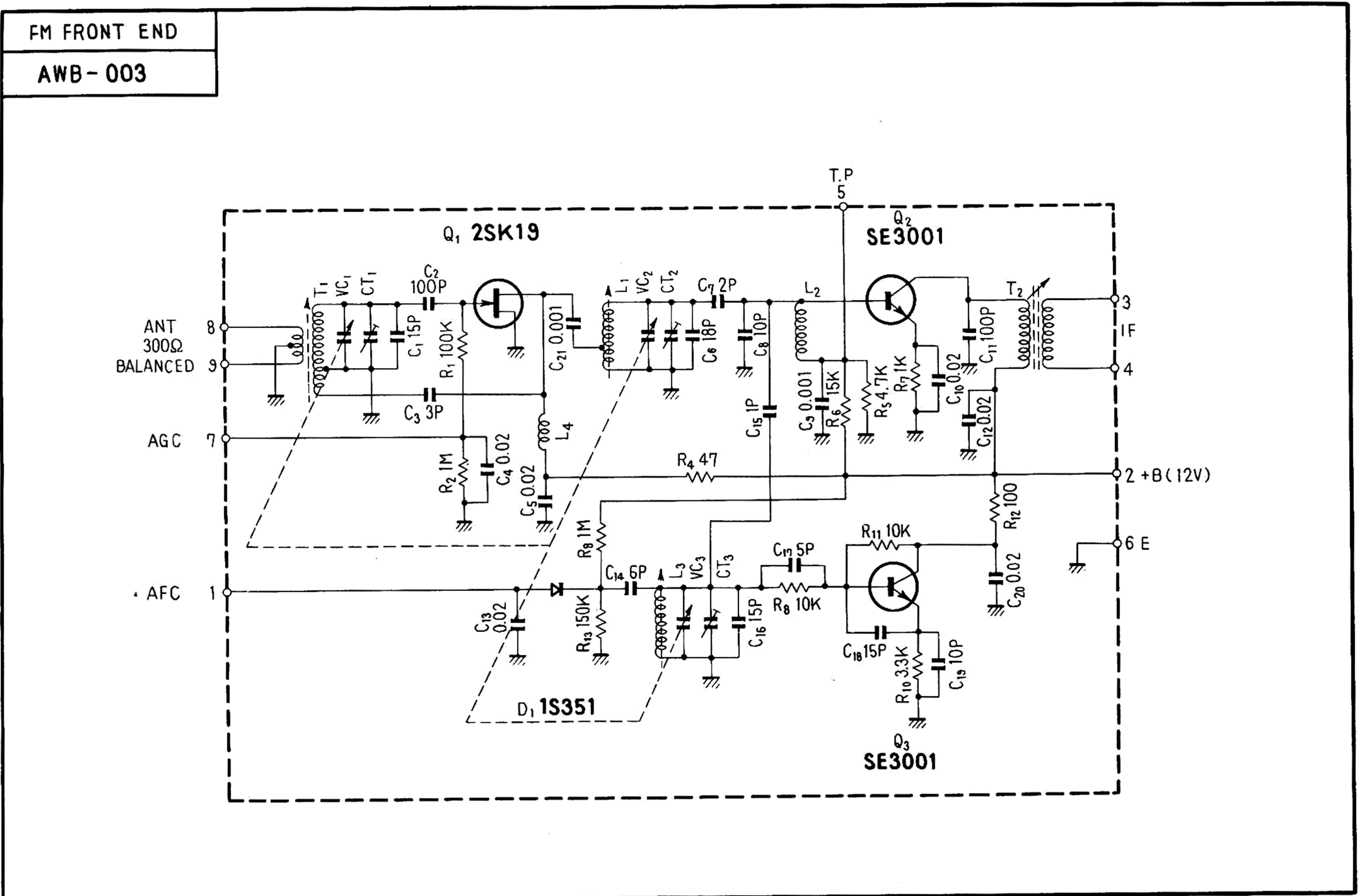
Power supply circuit for KCLW model



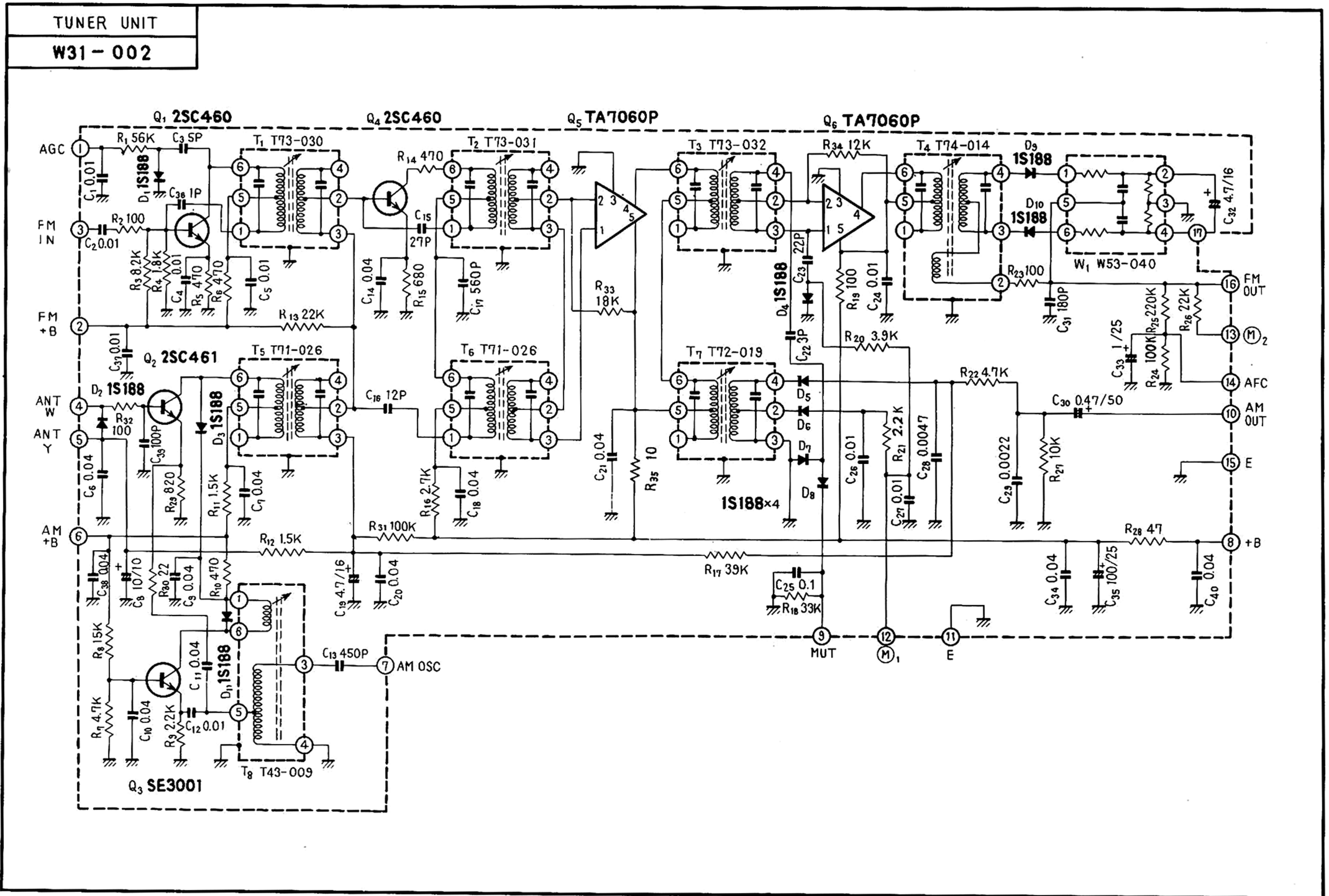
FM FRONT END



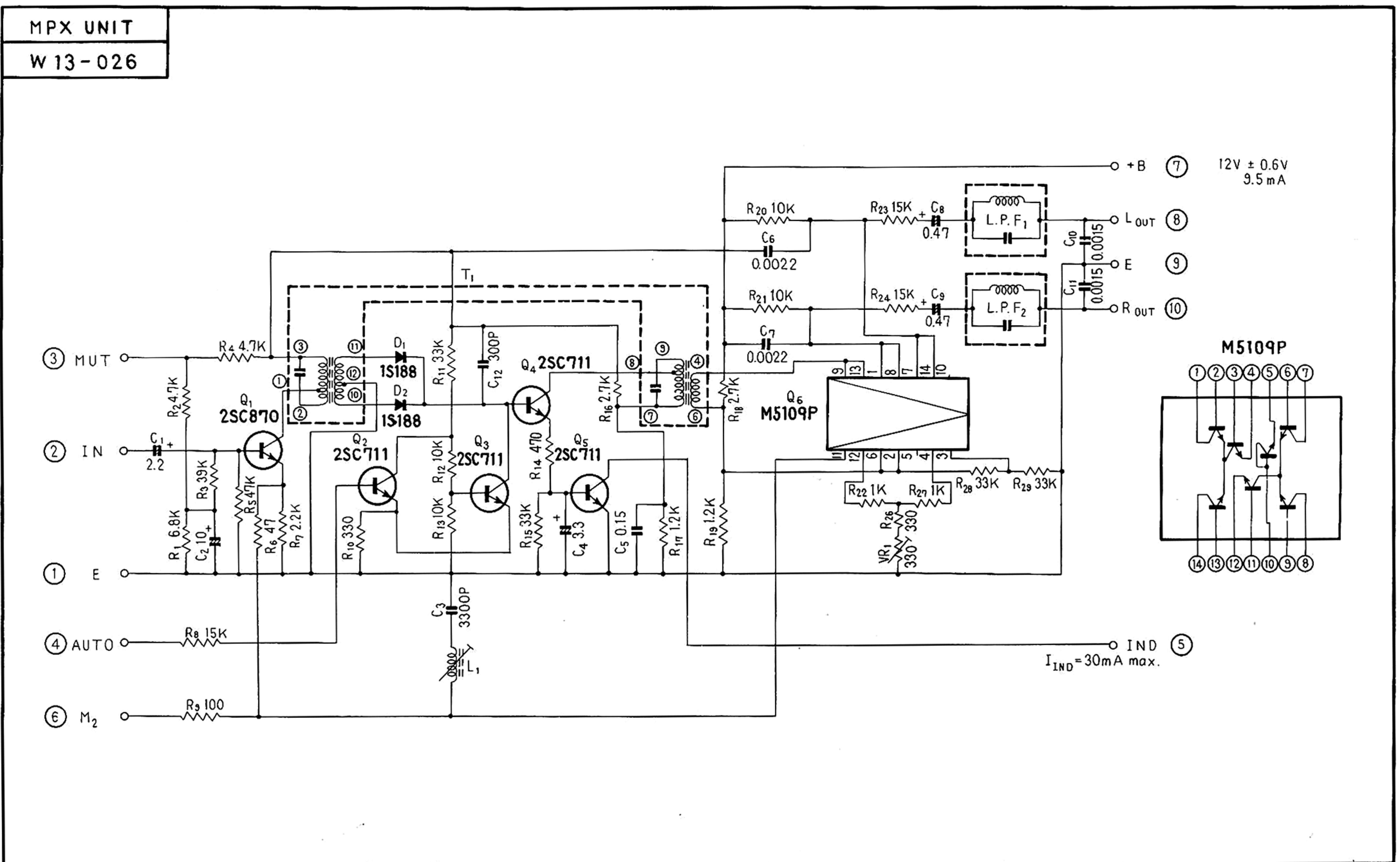
FM FRONT END for FVZW model



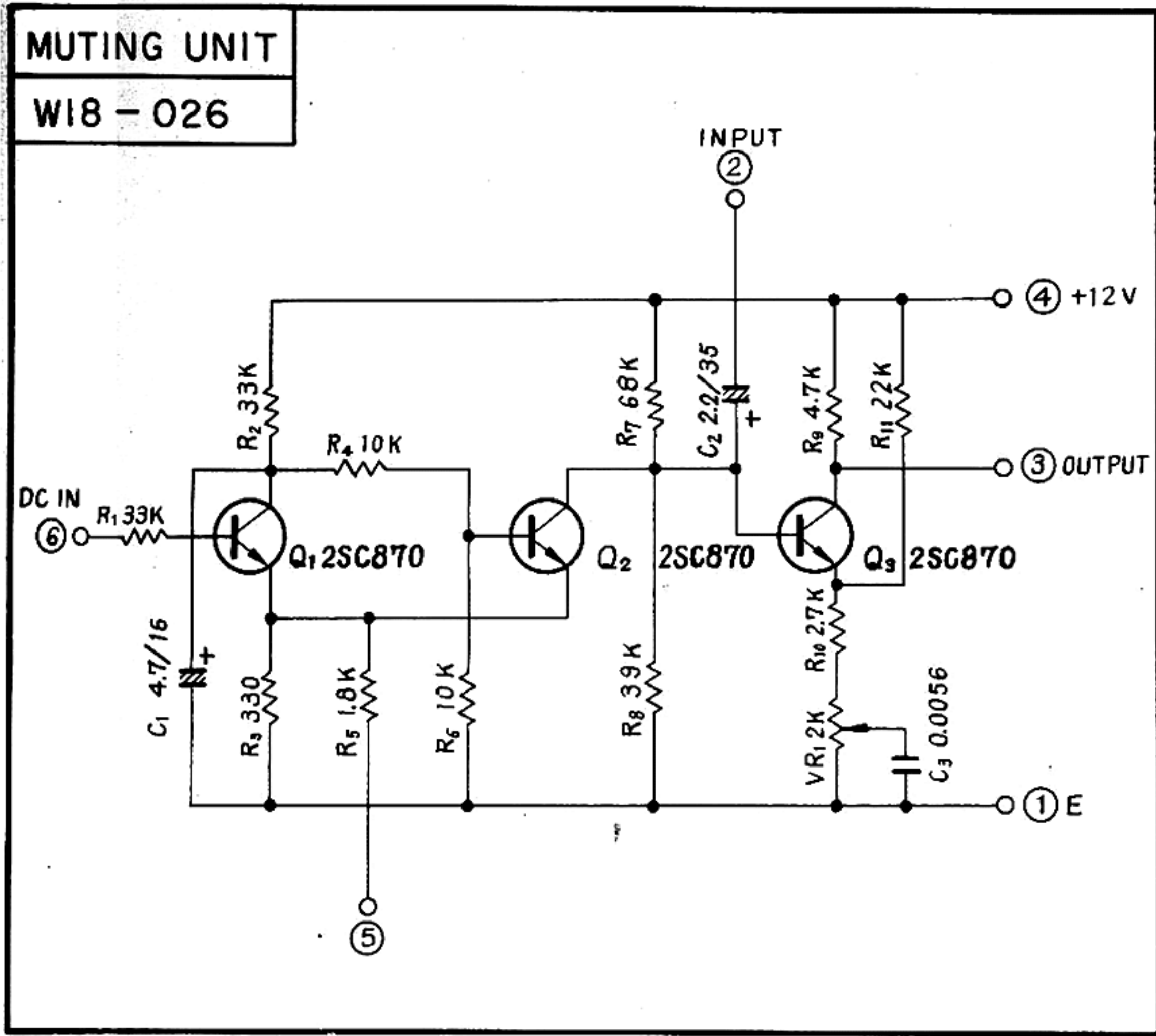
TUNER UNIT



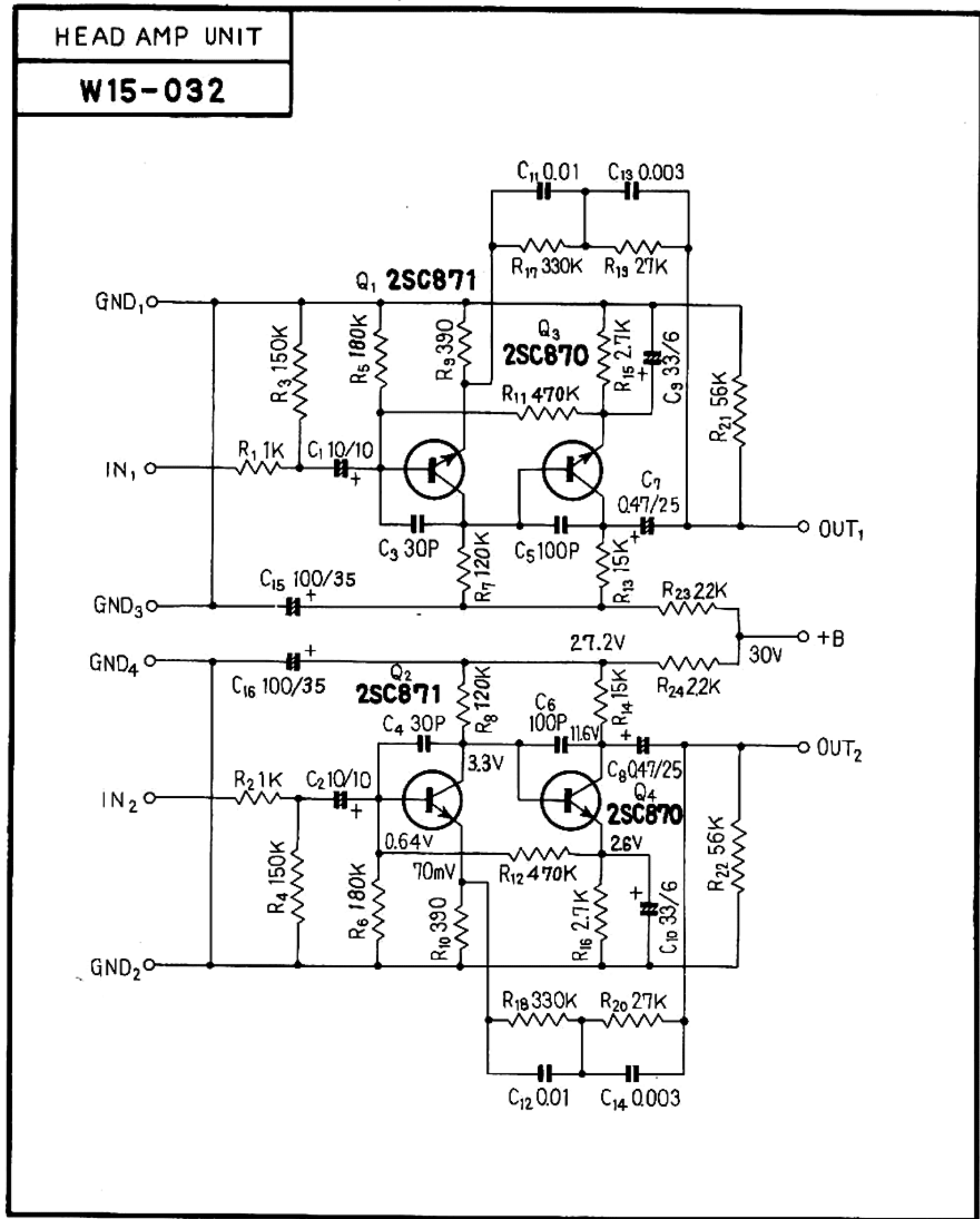
MPX UNIT



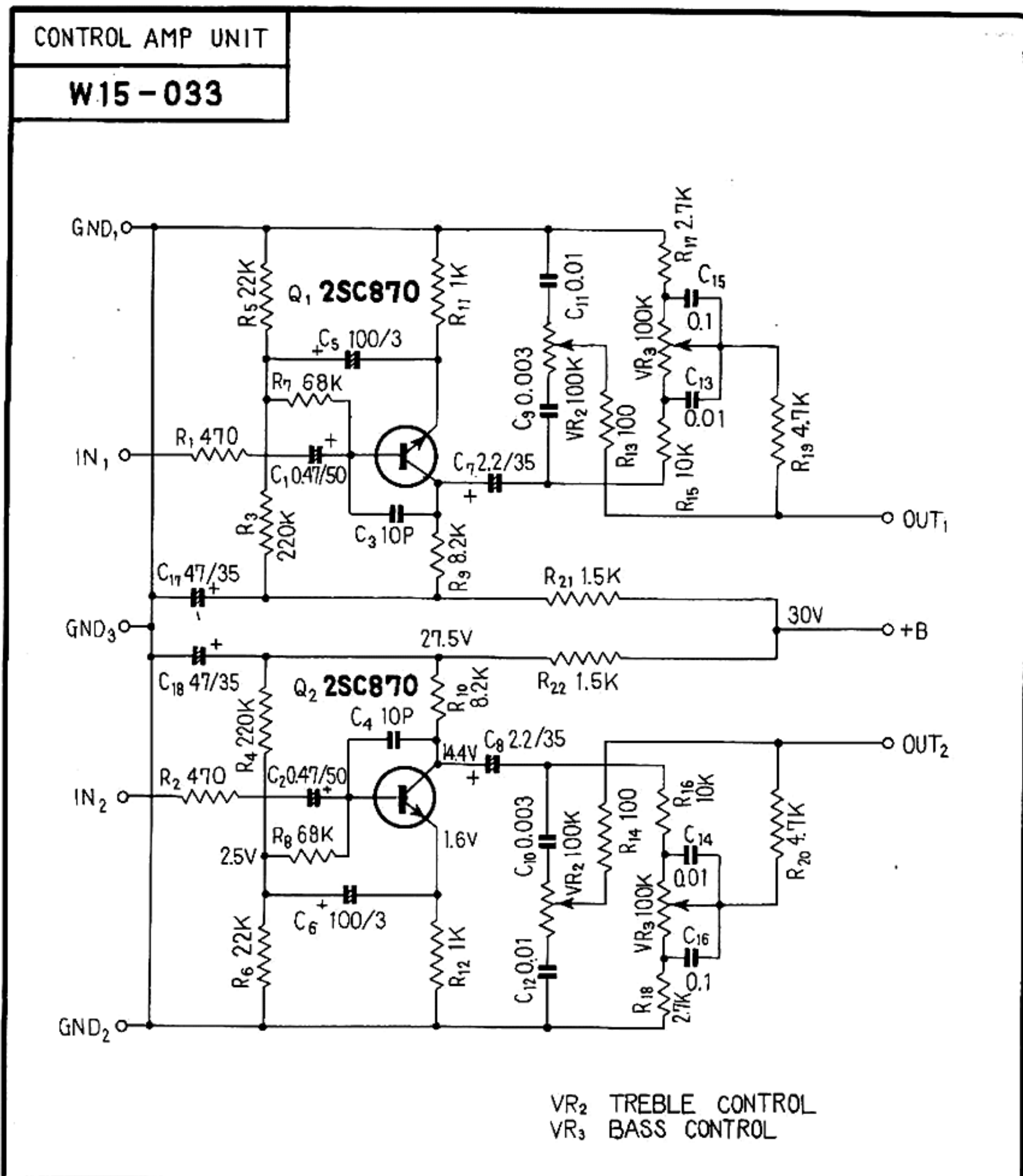
MUTING UNIT



HEAD AMP UNIT



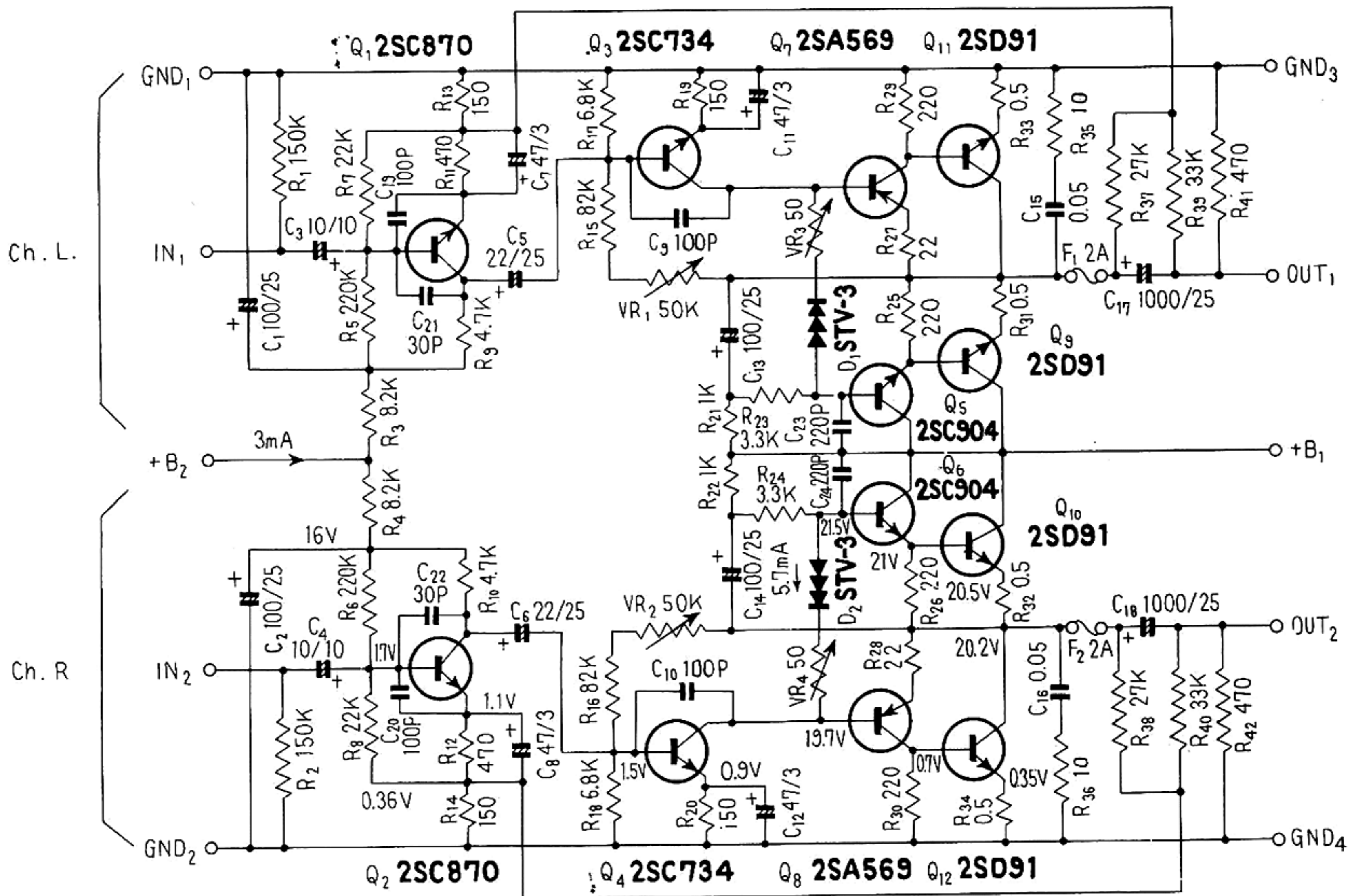
CONTROL AMP UNIT



MAIN AMP UNIT

MAIN AMP UNIT

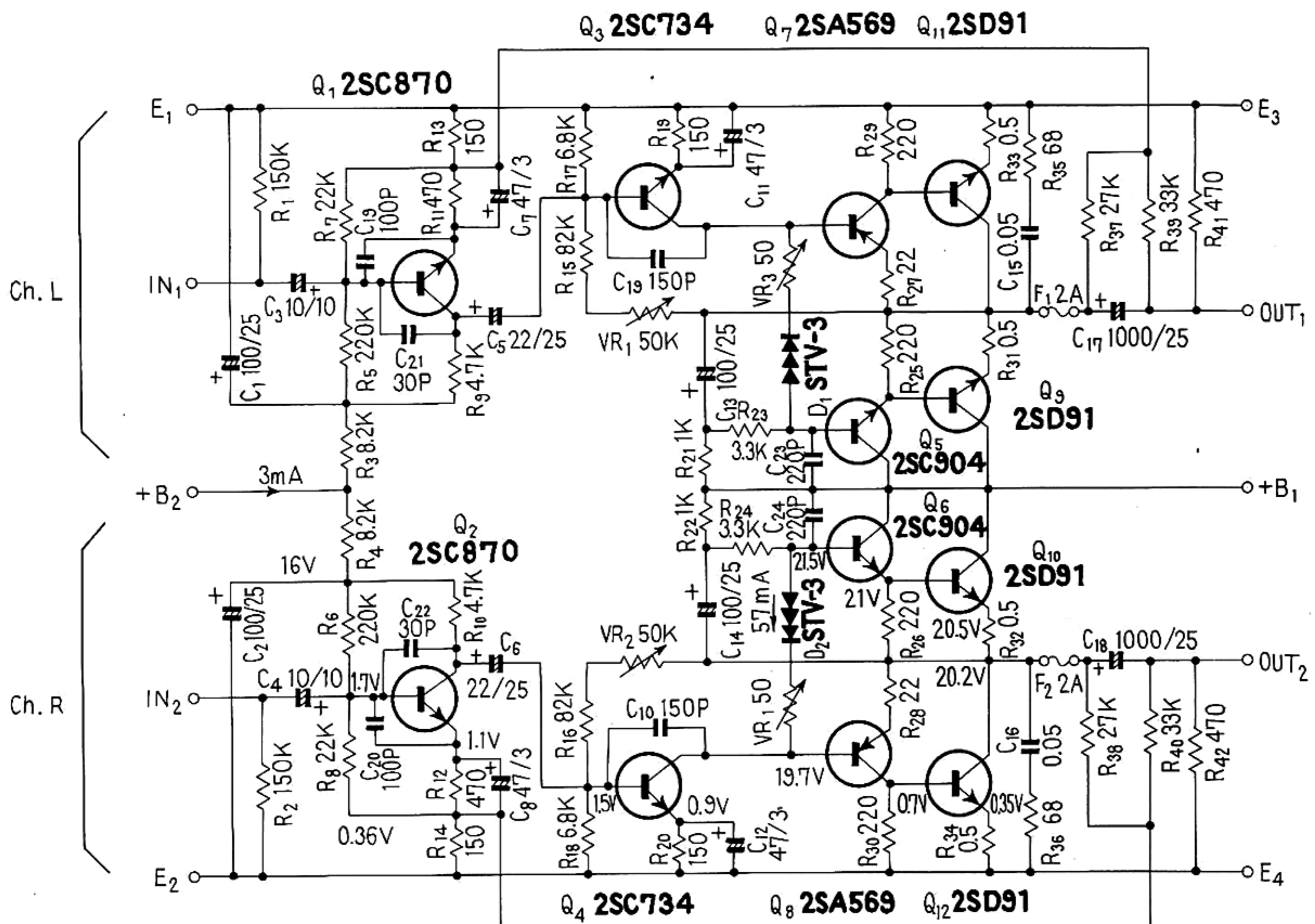
W15-085



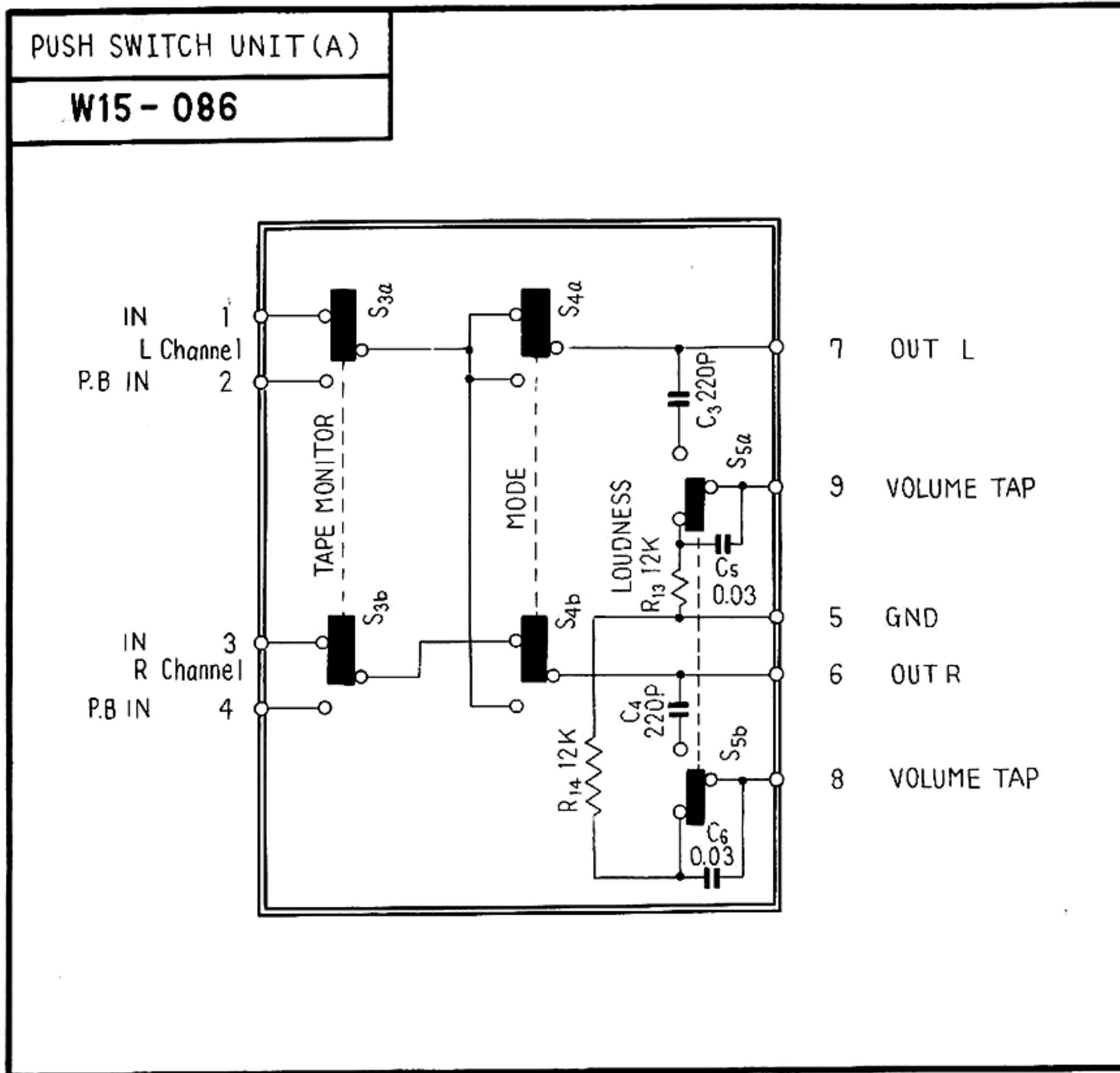
MAIN AMP UNIT For NBW model

MAIN AMP UNIT

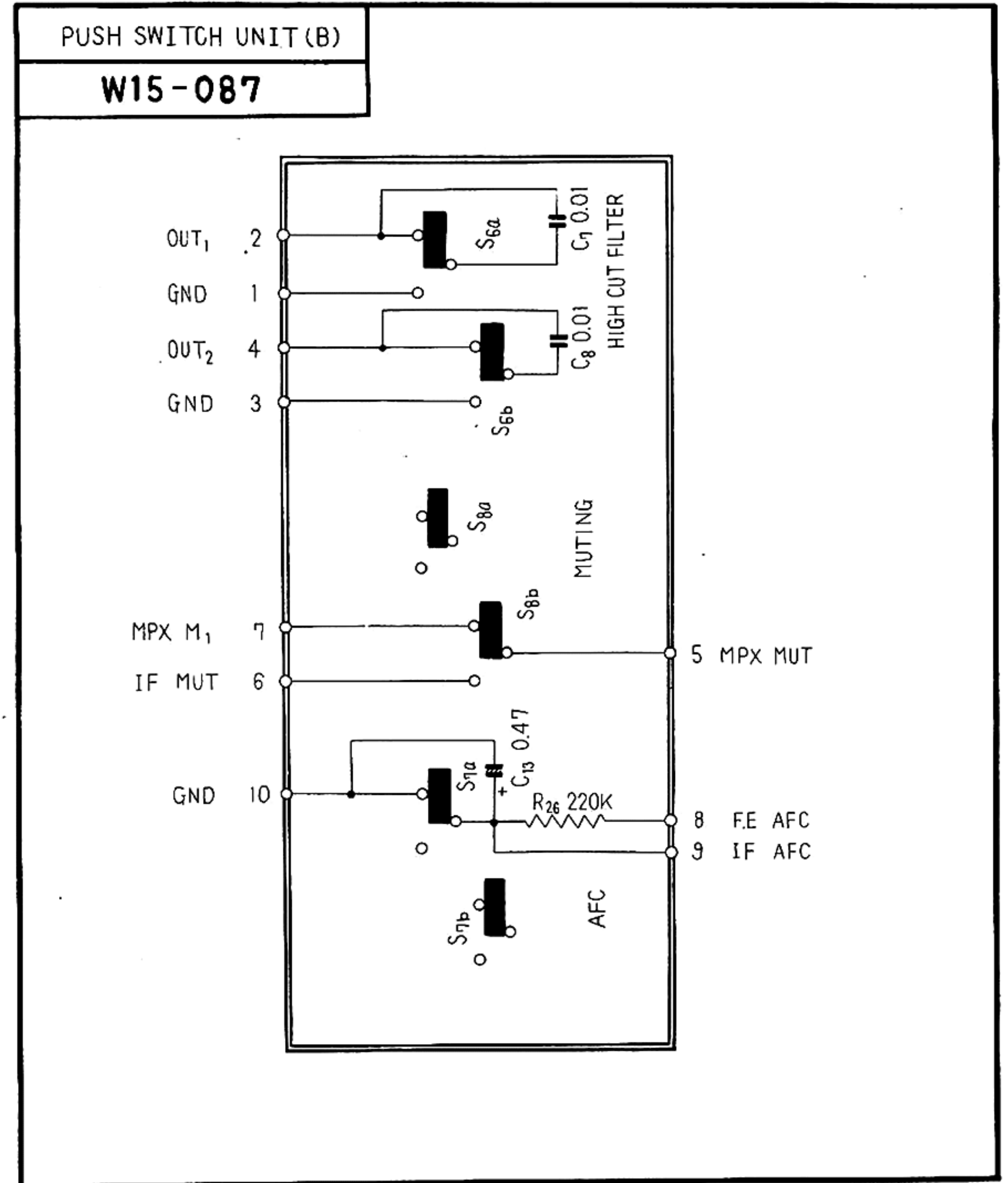
W23-005



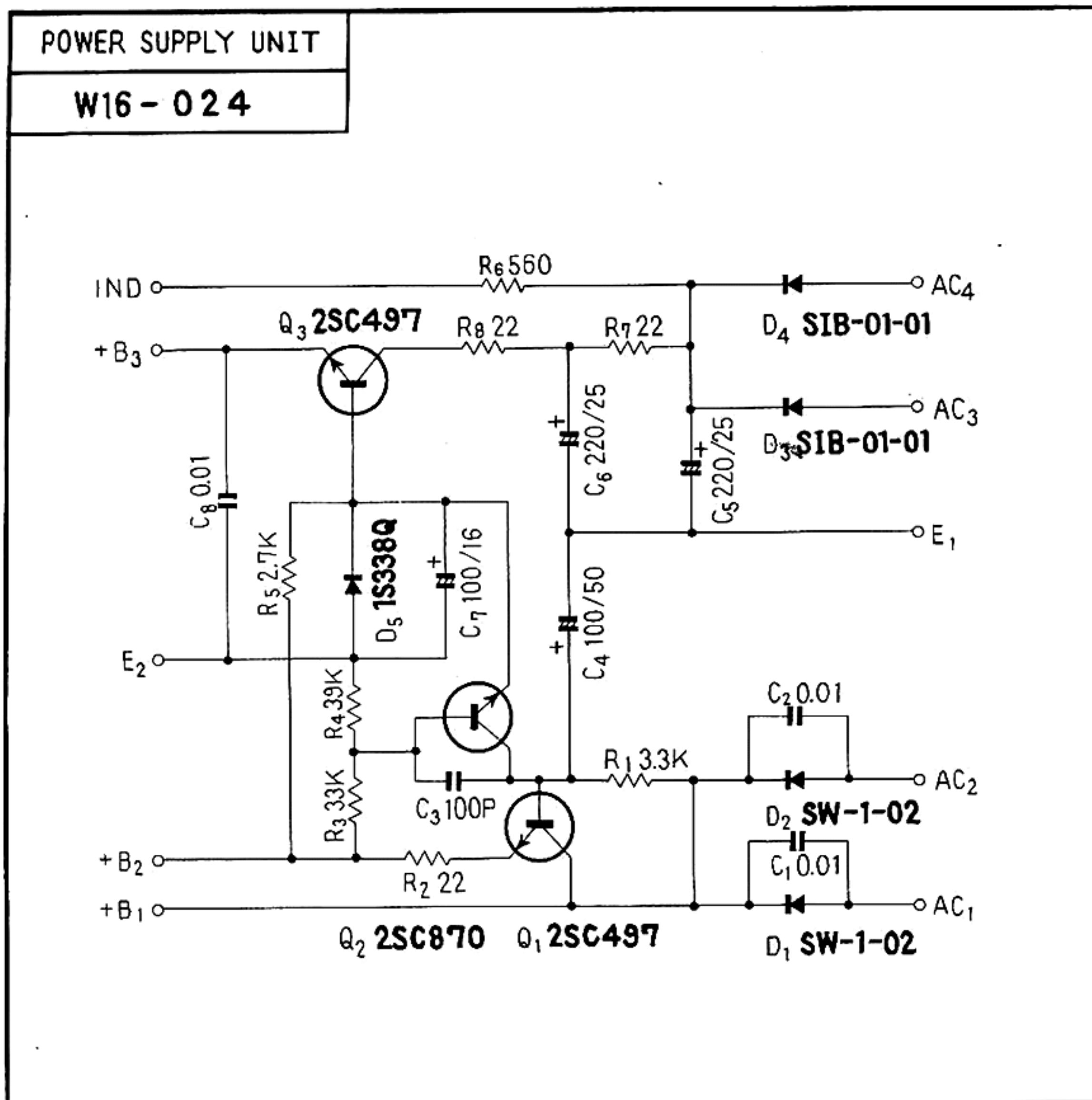
PUSH SWITCH UNIT



PUSH SWITCH UNIT



POWER SUPPLY UNIT



POWER SUPPLY UNIT for NBW model

